

Operating Manual

Style RX 300

Version 230V - 20625

120V - 20725

Canada 120V - 20725.1VS

Style RX 600

Version 230V - 20626

120V - 20726

Canada 120V - 20726.1VS

Style RX 1200

Version 230V - 20627

120V - 20727

Canada 120V - 20727.1VS



Table of contents

Introduction	2
Declaration of conformity, disposal and recycling, CE marking	3
Safety notice and precaution	4
Operating instructions	5
Control Panel	6
Switch and Fuse	7
Modelling Light	8
Digital power display, Photo-cell	9
Synchronisation, Wireless Remote control and flash triggering	10
Acoustic signal	10
Troubleshooting	7, 10
Flash tube replacement	11
Technical Data	12
Elinchrom Accessories	13
Guarantee	14

P.S: Technical data subject to change.

The listed values are guide values which may vary due to tolerances in components used.

Introduction

The Elinchrom Style RX is manufactured by Elinchrom S.A. CH -1020 Renens/Switzerland

Dear Photographer,

Thank you for buying your Style RX compact flash unit.

All Elinchrom products are manufactured using the most advanced technology. Carefully selected components are used to ensure the highest quality and the equipment is submitted to many controls both during and after manufacture. We trust that it will give you many years of reliable service.

All Style RX flash units are manufactured for the studio and location use of professional photographers. Only by observance of the information given, can you secure your warranty, prevent possible damage and increase the life of this equipment.

Style 300RX - 600RX - 1200RX

The quality of light and exceptional performance is the result of long research, application of demanding principles, the long experience of ELINCHROM in lighting products for the studio and the utilization of the latest technology in this area.

Totally integrated to the range of the ELINCHROM flashes, the Style 300RX - 600RX - 1200RX units maintain the traditional look and function that is ELINCHROM.

The control provides continuously variable adjustment of the modelling lamp and the flash power with precision over 6 f-stop, from full power 1/1 to 1/32 th.

FCC Class B Compliance Statement

Note:

This equipment has been tested and found to comply with the limits for a class B digital device, pursuant to Part 15 of the FCC Rules and meets all requirements of the Canadian Interference-Causing Equipment Regulations.

These limits are designed to provide reasonable protection against harmful interference in a residential installation. This equipment generates, uses, and can radiate radio frequency energy and, if not installed and used in accordance with the instruction manual, may cause harmful interference to radio communications.

However, there is no guarantee that interference will not occur in a particular installation. If this equipment does not cause harmful interferences to radio or television reception, which can be determined by turning the equipment off and on, the user is encouraged to correct the interferences by one or more of the following measures:

- Reorient or relocate the receiving antenna.*
- Increase the separation between the equipment and receiver.*
- Connect the equipment into an outlet on a circuit different from that to which the receiver is connected.*
- Consult the dealer or an experienced radio/TV technician for help.*

Elinchrom S.A. is not responsible for any radio or television interference caused by unauthorised modifications of this equipment or the substitution or attachment of connecting cables and equipment other than those specified by Elinchrom S.A. The correction of interference caused by such unauthorised modification, substitution or attachment will be the responsibility of the user.

Declaration of conformity

This device complies with Part 15 of the FCC Rules. Operation is subject to the following two conditions:

1. This device may not cause harmful interference, and
2. This device must accept any interference received, including interference that may cause undesired operation.

Product name:	Professional Studio Flash unit
Trade name:	ELINCHROM
Model number(s):	Style RX 300/600/1200
Name of responsible party:	Elinchrom S.A Av. De Longemalle 11 1020 Renens / Switzerland
Phone :	+41 21 637 2677
Fax:	+41 21 637 2681

We, Elinchrom S.A., hereby declare that the equipment bearing the trade name and model number specified above was tested conforming to the applicable FCC rules, and that all the necessary steps have been taken and are in force to assure that the production units of the same equipment will continue to comply with the Comissions requirements.

Disposal and recycling



This device has been manufactured to the highest possible degree from materials which can be recycled or disposed of in a manner that is not enviromentally damaging. The device may be taken back after use to be recycled, provided that is returned in a condition that is the result of normal use. Any components not reclaimed will be disposed of in a environmentally acceptable manner.

If you have any question on disposal, please contact your local office or your local ELINCHROM agent (check our website for a list of all ELINCHROM agents world wide).

CE marking



The shipped version of this device complies with the requirements of ECC directives 89/336/ECC «Electromagnetic compatibility» and 73/23/ECC «Low voltage directive».

Notational Conventions

The meaning of the symbols and fonts used in this manual are as follows:



Pay particular attention to text marked with this symbol.
Failure to observe this warning endangers your life, destroys the device, or may damage other equipment



Supplementary information, remarks, and tips follow this symbol.
Text which follows this symbol describes activities that must be performed in the order shown.

«Quotation marks» indicate names of chapters or terms

Safety notice

According to safety regulations, we draw your attention to the fact that these electronic flash units are not designed for use outdoors, in damp or dusty conditions and should not be used after being exposed to sudden temperature changes causing condensation. They must always be connected to an earthed (grounded) mains supply.

On no account should any object be inserted into the ventilation.

The units may retain an internal charge for a considerable time even though disconnected from the power supply.

Do not use in restricted area (like hospitals) and in explosive environments.

Flash Tubes and Modelling lamps

- Flashtubes and modelling lamps in use are very hot!
- Never touch a flash tube or lamp before the unit cooled down and is disconnected from the mains.
- Do not fire flashes from short distance (less than 1m) directed to a person and avoid looking directly into the flashlight!
- Keep distance to flammable materials.
- Keep generally distance to operating units.

Transport

- Transport the flash unit with care and only in its original packaging or another corresponding packaging fit to protect it against knocks and jolts.
- Transport only in complete discharged conditions. Wait a minimum 30 minutes after removing from mains supply before packaging and transportation.
- Never drop the flash unit (danger of breaking flash tubes).

Power cable

To guarantee safe operation, use the cable supplied.

- The cable has to be HAR-certified or VDE-certified. the mark HAR or VDE will appear on the outer sheath.
- The cable set must be selected according to the rated current for your flash unit.
- Do not use a spider box to connect one or more flash units.

FLASH SYSTEMS STORE ELECTRICAL ENERGY IN CAPACITORS BY APPLYING HIGH VOLTAGE.

FOR YOUR SAFETY, NEVER OPEN OR DISASSEMBLE YOUR FLASHES.

ONLY AN AUTHORISED SERVICE ENGINEER SHOULD OPEN OR ATTEMPT TO REPAIR THE UNITS.

INTERNAL DEFECT CHARGE CAPACITORS MAY EXPLODE WHILST THE UNIT IS IN USE, NEVER SWITCH ON A PROPER WORKING FLASH UNIT.



Before you start !

The Style RX unit voltage must correspond with your mains voltage. Style RX are delivered in 120V or 230V versions.

Before connecting for the first time, check to make sure that your Modelling lamp coincides with the voltage line.

They must always be be connected to an earthed (grounded) mains supply.

All Style RX units have a bayonet mount and locking ring reflector fitting, for fixing all Elinchrom and Prolinca accessories.

Mount the unit securely to a suitable stand or support.

Remove the black protective cover (note: first turn the locking ring A as shown, then rotate the black cap cover B in the same direction).

Fitting a reflector or accessory is the reverse of this action.

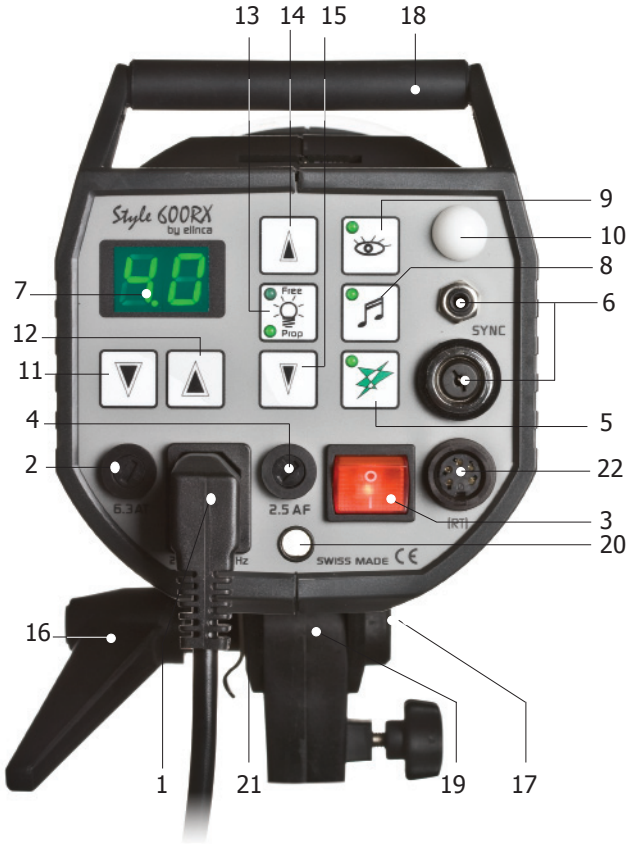
DO NOT operate the unit without first removing the black protective cover.



Operating instructions

1. Check that the modelling lamp voltage is correct.
2. Check that the mains switch (3) is in the OFF ("O" position).
3. Insert mains cable to the MAINS INLET (1) and connect to a FULLY EARTHED OUTLET
4. Using the mains SWITCH (3) and switch the unit ON ("I" position).
5. Connect the synchro cord on the socket (6).
6. Select the power with the touch pad (11 - 12)





Overview of controls

- | | |
|--|--|
| <ul style="list-style-type: none"> 1. Mains inlet socket 2. Mains fuse (slow blow) 3. Mains Illuminated on/off switch 4. Modelling fuse (fast blow) 5. Open-flash 6. Synchro-sockets, Amphenol + jack 3.5 mm 7. Digital power display and charge/discharge indicator 8. Acoustic recharging signal (Beep) 9. Slave cell switch on/off 10. Photocell receptor 11. Power adjustment in 1/10 f-stops, with ADF | <ul style="list-style-type: none"> 12. + Power adjustment in 1/10 f-stops 13. Modelling lamp switch (on/off free or prop) 14. + Modelling power control 15. - Modelling power control 16. Tilt head clamp 17. Knurled clamp screw 18. Handle 19. Stand 5/8-inch socket 20. Umbrella tube (only for EL umbrellas, diameter 7 mm) 21. Supplementary locking for others umbrellas 22. Socket for remote or PC - Multi Link |
|--|--|

Mains Supply

With the MAINS SWITCH (3) switched off ("O" position), firmly push in the plug of the original ELINCHROM mains cord into the mains socket (1).

Mains Switch

The switch should light up when the compact is switched on ("I" position). (Switch off before removing the mains cord).

Troubleshooting

If the on/off switch (3) is ON ("I" position) but not illuminated, switch off the unit and check the mains fuse (2).

If failed replace with the correct fuse and switch ON the unit.

This unit is protected by a thermal circuit breaker to avoid overheating.

Should this occur, the unit turns off automatically and cannot be fired.

After a break for cooling, the flash will be ready again for operation.

See page 10 / Troubleshooting.

This equipment is not user serviceable and contains high voltages which are dangerous.

In the event of failure, please return the unit to an authorized Elinchrom service station.

Mains Fuse

Standard type 5 x 20 mm, (use only tempered fuse)

- Style 300RX : 5 AT
- Style 600RX : 6,3 AT
- Style 1200RX : 8 AT

Note: Before exchanging a blown fuse, switch off the unit and remove mains cable. Depress and turn the fuse holder anti-clockwise 1/8th, turn and remove it. If the new fuse blows immediately upon reconnection, return the unit to an ELINCHROM service centre for a check-up.

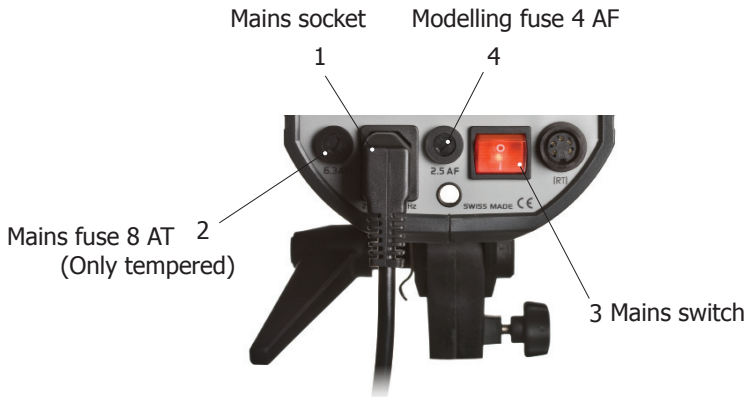
(N.B. Please don't forget to check the correct rating of the fuse !).

Fuse for modelling light

Fast type 5 x 20mm, 2.5 AF

Switch off the unit and replace the blown fuse with a new one of the correct rating.

The fastblow fuse will protect the triac of the modelling lamp circuit, the lamp and therefore the flash tube.



Modelling Light

The touch pad (14) controls the modelling lamp on/off and the proportional light.

Select the power with the touch pad (15). The modelling light output (100%) is achieved when the power value is set to maximum.

Proportional modelling lamp, is set when the position "PROP" is selected (led is illuminated), the light output is proportional to the selected flash power.

For all types of Style RX compact flash units, use maximum 250 - 300W modelling lamps.

230V Modelling lamps and fuses

Unit	Modelling lamp	Code	Socket	Fuse	Code
Style 300RX	250W halostar	23018	E27	2,5AF	19033
Style 600RX	250W halostar	23018	E27	2,5AF	19033
Style 1200RX	300W halogen	23022	GX 6,35	2,5AF	19033

120V Modelling lamps and fuses

Unit	Modelling lamp	Code	Socket	Fuse	Code
Style 300RX	150W halogen	23037	BA15D	4 AF	19035
Style 600RX	150W halogen	23037	BA15D	4 AF	19035
Style 1200RX	250W halogen	23038	BA15D	4 AF	19035

120V «Canada Version» Modelling lamps and fuses

Unit	Modelling lamp	Code	Socket	Fuse	Code
Style 300RX	150W halogen	23012	E27	4 AF	19035
Style 600RX	150W halogen	23012	E27	4 AF	19035
Style 1200RX	150W halogen	23012	E27	4 AF	19035

230V Modelling lamp options:

120V Modelling lamp:



This lamp socket adapter E27 to GX 6.35 (code 23101) allows the use of the halogen lamp 300W, GX 6.35 (code 23022) for Style 300 and 600 RX units.

If the modelling lamp does not light up.

- 1. The filament is broken after long use (replace lamp and fuse)*
- 2. The filament is broken after shock (replace lamp and fuse)*
- 3. An internal component failure (return the unit to customer service)*

Digital Power Display

The actual flash power is displayed in a f-stop compatible format.

The power range is 6 f-stops. The digital display, provides continuous power indication of the flash and modelling lamp. The controls cover a continuous output range from full power 1/1 to 1/32th in 1/10th, f-stop intervals.

During charging or discharging, the display "flashes". In case of overheating or malfunction, the display shows "ER" for error.

Note:

This "Style 300RX, 600RX and 1200RX" units have an integrated discharge system, protected by a thermic switch.

To avoid overheating, lower power settings, more than 2f-stop, can be discharged manually by releasing the flash with the «Test» touch button.

Photocell

The photocell is activated when the green LED (on the touch pad 9) is illuminated.

When switched ON, the unit can be remotely triggered by another flash unit !

The Style BX photocell is specially designed to work under ambient light conditions in your studio. Direct light or other strong light sources may reduce the sensitivity of the cell.

In difficult situations e.g. blinding, sunlight or obstacles, the additional cell with 5 m cord (extensions available) solves most problems.

Additional cell : code 11081
Extension cord 10 m : code 11080



Wireless Remote Control and Flash Triggering

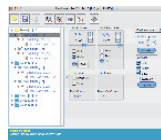
All RX units, Style RX, Digital RX, Ranger RX are equipped with the Remote Plug, to connect the EL-Skyport Trigger and Remote System. With the **EL- Skyport RX Trigger Set 19362**, the RX units can be triggered wireless, up to approximately 100 m distance. Apart from triggering, the Transmitter offers modelling lamp on /off settings and flash power control in 1/10th steps. By using the **EL- Skyport Computer Remote / Trigger Set 19361**, all RX functions can be controlled and operated with a MAC^o or Windows^o computer.



Set n°19362



Set n°19361



For details of the most advanced wireless system please visit www.elinchrom.com > Products > RX Multi Remote > EL-Skyport.

Synchronisation socket

The standard socket 3.5 mm mini-jack (6).

N.B. Do not link ELINCHROM units by cable to other manufacturers sync outlets. ELINCHROM uses the low voltage (5 V) for security reasons.



Open flash "test"

Having pressed the touch pad to release a flash, the green «READY» light will appear again once the unit is recharged. If the green light does not appear the charge system could be defective.

Please contact and send to an authorized Elinchrom service.

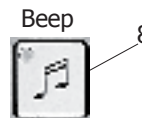
Test and Ready



Audible recharge signal

Select the function with the touch pad (8), the green indicator appears.

Once recycled an acoustic signal indicates that the compact unit is ready.



Troubleshooting

1. The mains switch (3) is ON ("I" position), but not light up:

- Switch OFF the unit and change the mains fuse (2)
- Use only time-lag fuse (16 AT), corresponding to the Style RX model

2. The switch (3) is lit, the open flash ready is lighting up but does not function.

- The flashtube in the flashhead may be faulty (see page 11)
- If replacing the flashtube does not solve the problem, the cause could be a component failure => please return the unit to an authorised Elinchrom service.

3. The ON/OFF switch (3) is lit but the open flash signal (6) is not lit

- Temporary break for overheating, caused by fast flash sequences or ventilation slots obturated
- Fan cooling defective => the unit turns off automatically and cannot be fired any more. After a break for cooling, the flash is ready again for operation.
- If after several minutes of break for cooling the ready signal (6) is not lit, the cause could be a component failure. However, high voltage may remain on the capacitor circuits. => DO NOT ATTEMPT TO REPAIR THE UNIT. In this case please send the unit to an authorised Elinchrom station.

If the unit does not function

1. The mains switch (3) is ON ("I" position), but not illuminated.
Switch off the unit and change the mains fuse (2).
Use only time-lag fuse, corresponding to the Style RX model.
The switch (3) is lit, the open flash ready is illuminated but does not function.
The flash tube may be faulty - see page 12.
2. If replacing the tube does not solve the problem, the cause could be a component failure;
please return the unit to an authorised Elinchrom service.
3. The ON/OFF switch (3) is lit but the open flash signal (6) is not lit.
In this case there is an internal problem.
Cause of this problem:
 - Will probably be an electronic component failure
 - Temporary break for overheating, caused by fast flash sequences or covered ventilation slots.
 - Fan cooling defectiveThis unit is protected by a thermic device to avoid overheating.
Should this occur, the unit turns off automatically and cannot be fired any more, after a break for cooling, the flash is ready again for operation.
4. If after several minutes break for cooling, the ready signal (6) is not lit,
the cause could be a component failure.
However, high voltage may remain on the capacitor circuits.
DO NOT ATTEMPT TO REPAIR THE UNIT. In this case please send the unit to an authorised Elinchrom station

Flash tube replacement

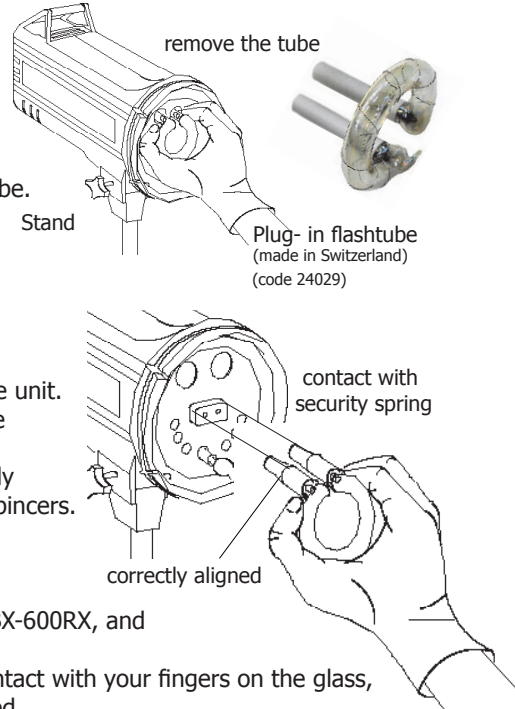
If the unit does not flash but the ON/OFF switch indicates that there is power, it could be that the flashtube needs replacing.

Note:

Flash tubes (Swiss quality) have a long life with average use, but multiflashing in long sequences can cause overheating of the electrodes leading to premature ageing, or perhaps the flash tube is broken or cracked.

To replace the Flash tube:

1. Switch off the mains switch
2. Remove the mains cable
3. Take the unit from its stand or lay it horizontally on a rigid surface. It will need to be held firmly whilst removing and replacing the tube.
4. Allow the flash tube and modelling lamp to cool for several minutes. They may be very hot.
5. Carefully remove and store the modelling lamp.
6. Put on the protective glove delivered with your flash tube and remove:
 - A - first the security spring trigger
 - B - the flash tube, by firmly pulling it away from the unit.If the tube is broken, avoid cutting yourself and the glove.
If the only part to grip is the electrode (e.g. a totally smashed tube), withdraw using insulated pliers or pincers. There is a full discharge security circuit fitted, but if the unit has had a heavy fall, internal damage disconnecting a circuit could possibly happen.
7. Take the new flash tube, code 24029 for Style 300BX-600RX, and code 24068 for Style 1200RX.
A glove or "plastic protection" **MUST BE USED** - contact with your fingers on the glass, will cause dark markings on the tube when it is used.
8. Check that the tube is correctly aligned (central) and that the trigger contact is gripping the tube, refix the security spring.
9. Re-connect and test the unit as usual.



Features

- Locking bayonet ring for accessory and reflector fitting
- Tilthead whit 5/8" - inch stand socket
- Thermal safety
- User replaceable flash tube UV coated (5650°K)
- Halogen modelling lamp 250W, with E27 fitting, and 300W/GX6.35 for Style 1200RX (230V Version)
- Silent fan cooling
- Controls for: modelling on/off, cell on/off, acoustic signal on/off.
- Flash and modelling power control.
- «X» synchro jack socket 3,5 mm.
- Socket for Plug-In remote control.
- Auto dumping function. Automatic discharge of flash power
- Central umbrella tube plus external fitting
- Acoustic recharging signal
- Mains cable
- Synchro cord of 5m (jack 3.5mm plug)
- Protective cover
- Total compatibility with all Elinchrom accessories
- Very fast recycling time
- Very short flash duration

Technical data			300RX	600RX	1200RX
Flash power		J(Ws)	300	600	1200
Power supply	230V Version	V	all units 215-240		
	120V Version	V	all units 110-120		
F-stop, 1m, 100 ISO, with reflector 48°		GN	64,1	90,1	128,1
Control range		J(Ws)	9-300	18-600	36-1200
Recycling time	230V Version	s	0,2-0,6	0,25-0,8	0,35-1,5
	120V Version	s	0,25-1	0,3-1,6	0,35-2,8
Flash duration (t 0,5) 1/1		s	1/2850	1/2050	1/1450
	(t 0,5) 1/32	s	1/1350	1/850	1/480
Modelling lamp	230V Version	W	250*/E27	250*/E27	300 GX 6,35
	120V Version	W	150/BA15D	150/BA15D	250/BA15D
	120V «Canada Version»	W	150/E27	150/E27	150/E27
Voltage across sync cable		V	5	5	5
Connected load A/VA		(W)	5/1150	6,3/1500	8/1840
Radio interference suppressiv		CE-IEC 491 EN 60 555 - EN 61 000 - 4 - 2/3/4/5			
Dimension length x diam.		cm	21x14	21x14	30x14
Weight		kg	2,15	2,45	3,45

* Optional alternative 300W/GX6.35

Tolerances and specifications conforming to IEC and CE standards.

Technical data subject to change without notice.

Guarantee

This ELINCHROM product will be repaired free of charge by the vending agent if during a period of 24 months from date of purchase its working order is impaired through a manufacturing or material defect. The faulty product should be immediately sent to the authorized dealer or Elinchrom agent. This guarantee is not valid for equipment which has been misused, dismantled, modified or repaired by persons not belonging to the Elinchrom distribution network. It does not cover flash tubes, lamps and the normal ageing of capacitors. No responsibilities can be accepted for damage resulting from unsatisfactory operation of the equipment, such as wasted film or other expenses.



Please „register“ your Elinchrom product online, under
www.elinchrom.com > Downloads > Product Registration

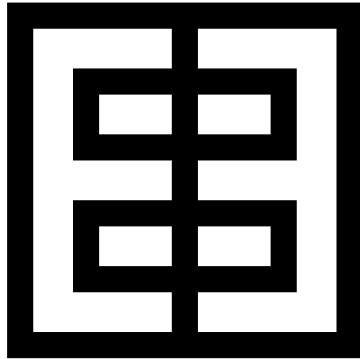
In case you cannot register your Elinchrom unit via internet, please fill in the Guarantee card and post it to Elinchrom.

Please return this registration card directly to	: Elinchrom sa
Diese Registrierkarte bitte direkt zurücksenden an	: P.O. Box 458
Veuillez retourner cette carte d'enregistrement directement à	: Avenue de Longemalle 11
Vi preghiamo di far pervenire questa cartolina di iscrizione direttamente a	: CH-1020 Renens
Por favor envie esta carta de registro directamente	: Switzerland

Elinchrom model	:	
Elinchrom modèle	:	
Elinchrom modell	:	
Modello di Elinchrom	:	
Modelo de Elinchrom	:	N°

Date of purchase	:	Dealer	:
Datum des Kaufs	:	Händler	:
La date d'achat	:	Négociant	:
La data di acquisto	:	Il distributore	:
La fecha de la compra	:	El comerciante	:

Your full name and address	:
Ihr voller Name und redet an	:
Votre nom complet et adresse	:
Il suo nome pieno ed indirizza	:
Su nombre y apellidos y dirige	:



elinchrom[®]
creative image lighting technology 